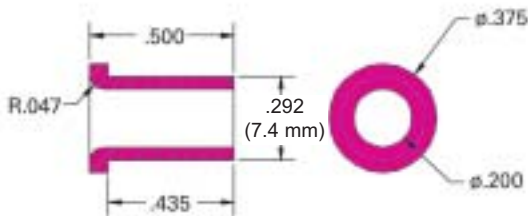


# HE ANIUM Popular Eyelets

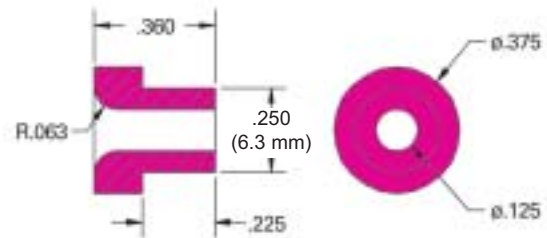
Standard tolerances on all dimensions are  $\pm 0.010$  inch or  $\pm 1.5\%$ , whichever is greater. Diamond grind and/or hone to  $\pm 0.0005$  inches is available.

With over 70 years experience in the development and manufacture of industrial ceramics, we are able to provide parts with the geometries, tolerances, and polishes required for your specific industrial applications.

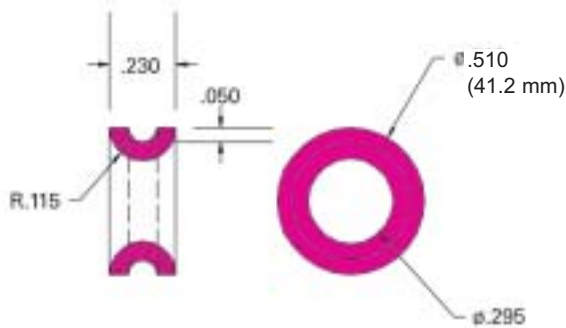
**EF-292**



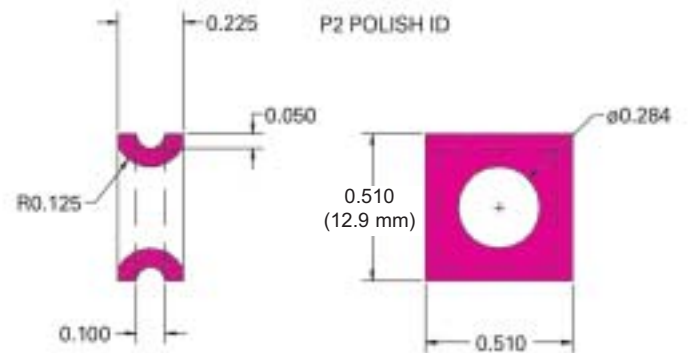
**EF-250-2**



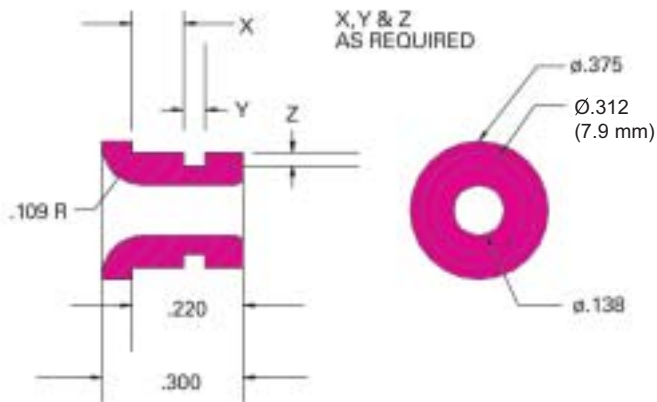
**EG-0510-01**



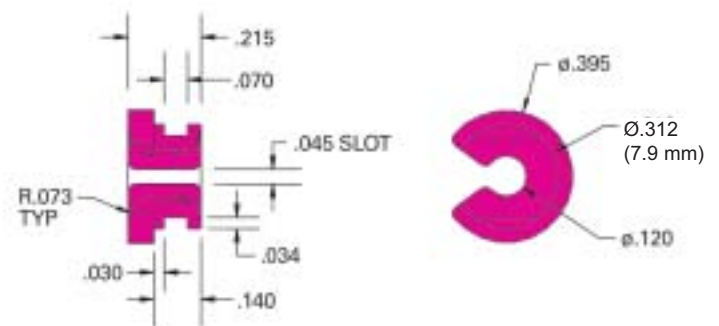
**EGSQ-0510**



**EFG-312-X**



**EFGASL-312**

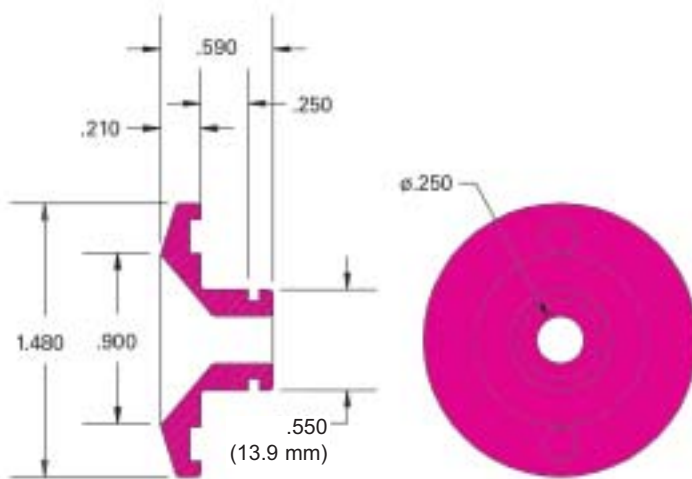


# HE ANIUM Flyer Eyelets

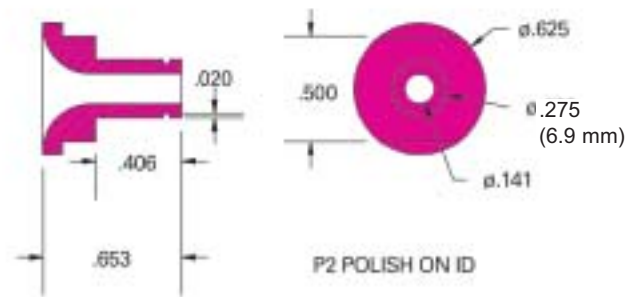
Standard finish (Ra) on all surfaces is 64  $\mu$ m. Polishing to 32  $\mu$ m (**P2 Polish**) or 16  $\mu$ m (**P1 Polish**) is available.

Many flyer eyelets come standard with a P2 Polish on the ID surface for maintaining product integrity.

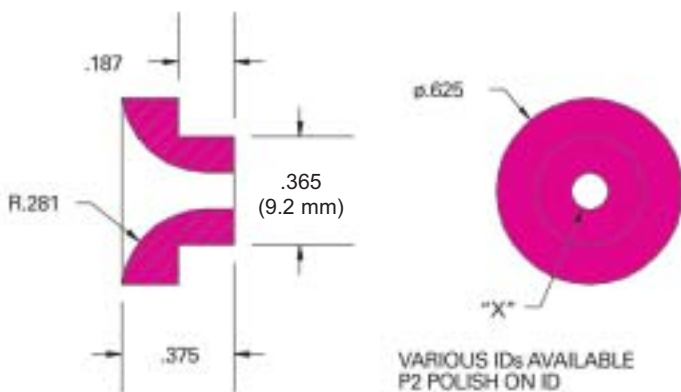
**EFG-550-LF-A**



**A100053**



**A100381-X**



**B300605**

